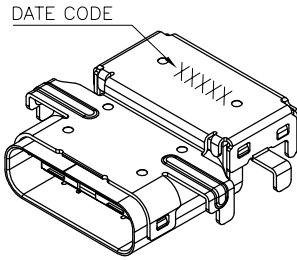
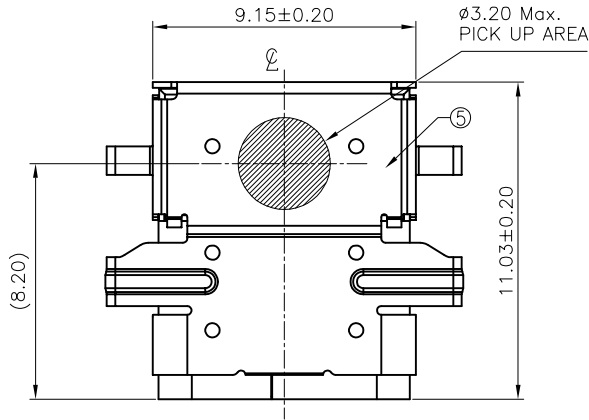




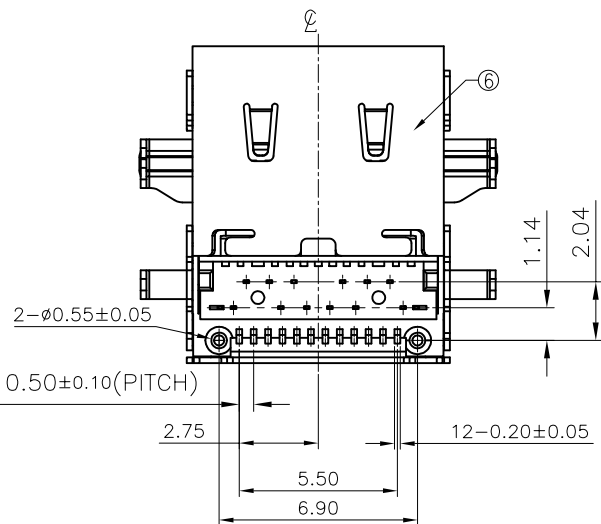
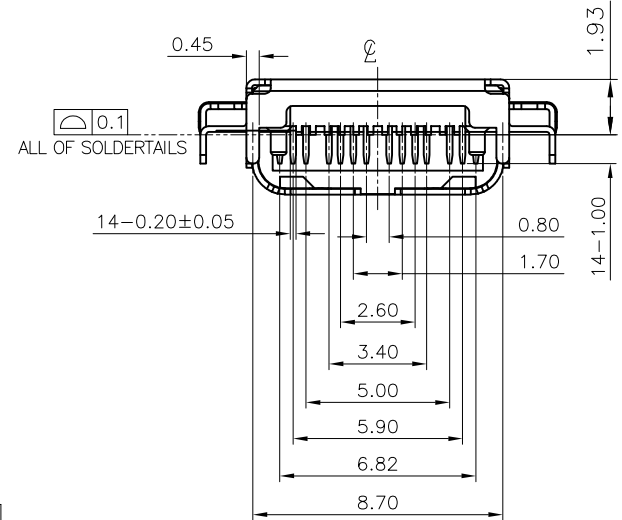
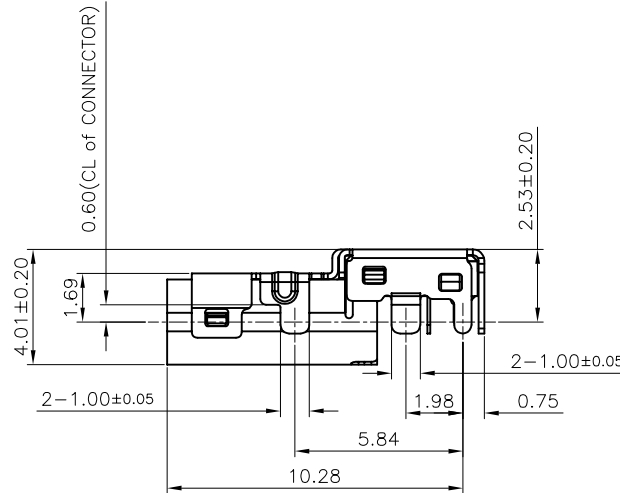
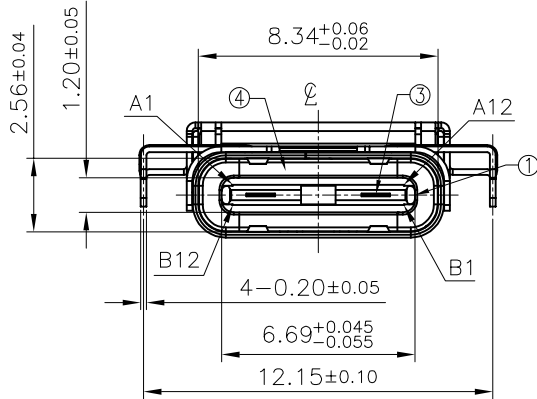
A B C D E F



ITEM	DESCRIPTION	Q'TY
6	INNER SHELL	1
5	OUTER SHELL	1
4	RF PAD	2
3	GROUND PLATE	1
2	CONTACT	24
1	HOUSING	1

- NOTES: 1. MATERIAL:
 1.1 HOUSING: PA9T, HIGH TEMP.,UL94V-0;
 1.2 CONTACT: HIGH CONDUCTIVITY COPPER ALLOY
 1.3 GROUND PIN: STAINLESS STEEL
 1.4 RFI PAD: STAINLESS STEEL
 1.5 SHELL: STAINLESS STEEL
 2. FINISH:
 2.1 CONTACT:
 Y.2u"Au+30u"NiPd ON CONTACT FOR LEAD FREE.
 50~100u" NICKEL UNDERPLATING OVERALL.
 2.2 GROUND PIN & RFI PAD & SHELL :
 20u" MIN SOLDERABLE NICKEL UNDERPLATING OVERALL.
 3. SPEC. PLS. REFER TO PS-55907-xxxxx-xxx
 4. PACKAGE PLS REFER TO 55933-xxxxx-xx-TRP
 5. PART NUMBER

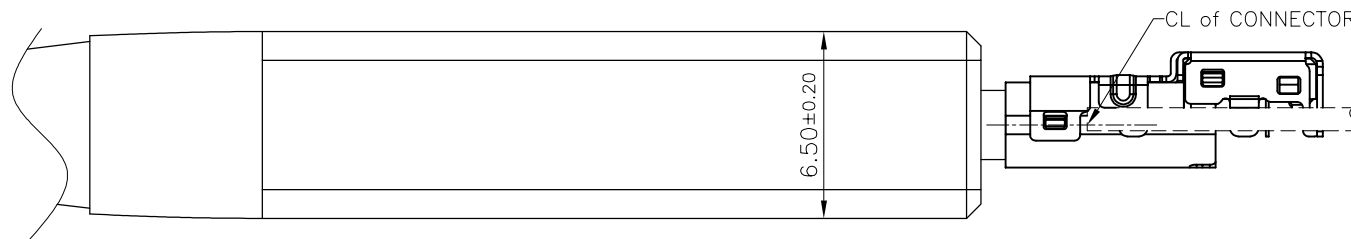
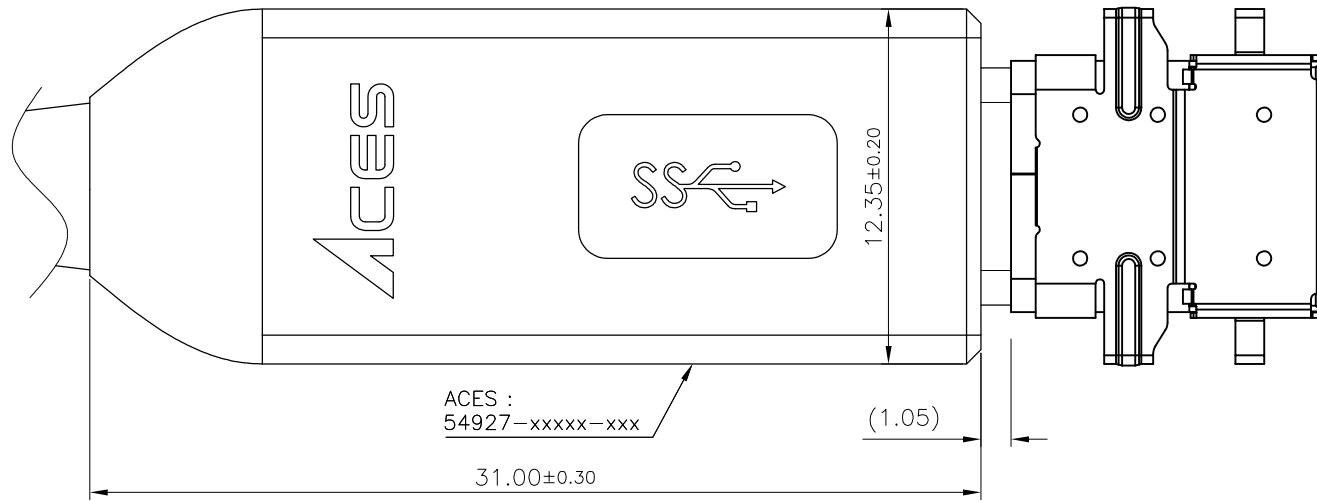
55933-024 X X-XXX
 NO OF CKT 001:NONE
 PACKING PLATING
 O: TAPE & REEL Y: 2u"Au+30u"NiPd



A12	GND	B1	GND
A11	SSRXp2	B2	SSTXp2
A10	SSRXn2	B3	SSTXn2
A9	VBUS	B4	VBUS
A8	SUB1	B5	CC2
A7	Dn1	B6	Dp2
A6	Dp1	B7	Dn2
A5	CC1	B8	SUB2
A4	VBUS	B9	VBUS
A3	SSTXn1	B10	SSRXn1
A2	SSTXp1	B11	SSRXp1
A1	GND	B12	GND
PIN	SIGNAL NAME	PIN	SIGNAL NAME

一般公差 TOLERANCES X ±0.50 .XX ±0.15 X ±0.25 .XXX ±0.10 ANGLES ±1°		宏致電子股份有限公司 Aces Electronics Co.,Ltd.	
檢驗尺寸標示 SYMBOLS INDICATE CLASSIFICATION DIMENSION	品名 (TITLE) USB 3.1 TYPE C Mid-Mount REC ASSY (T/H R/A)	製圖 (DR) 15/12/01 RAY	審核 (CHKD) RYAN
⊗ MARK IS CRITICAL DIM. ⊕ MARK IS MAJOR DIM.	圖號 (DWG.NO) 55933-024XX-XXX	核准 (APPD) K.HISATOMI	
表面處理 (FINISH)	比例 (SCALE) 4:1 單位 (UNITS) mm		張數 (SHEET) 1 OF 4 尺寸 (SIZE) A4 版次 (REV) 0

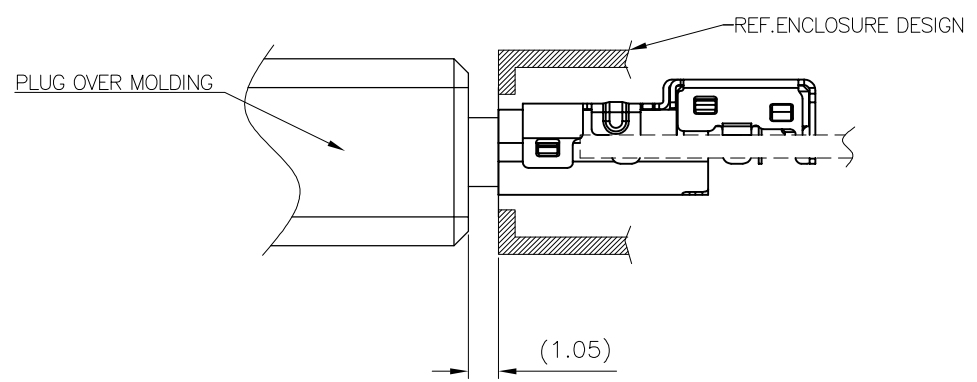
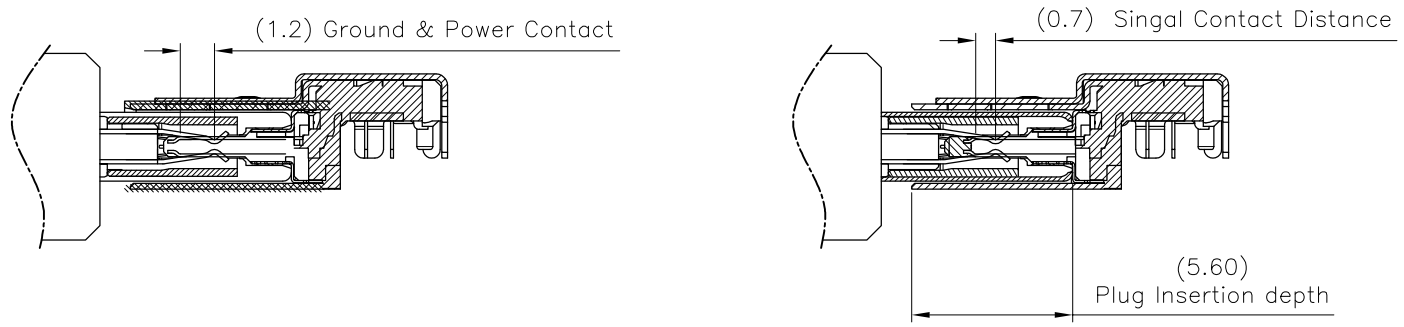
A B C D E F



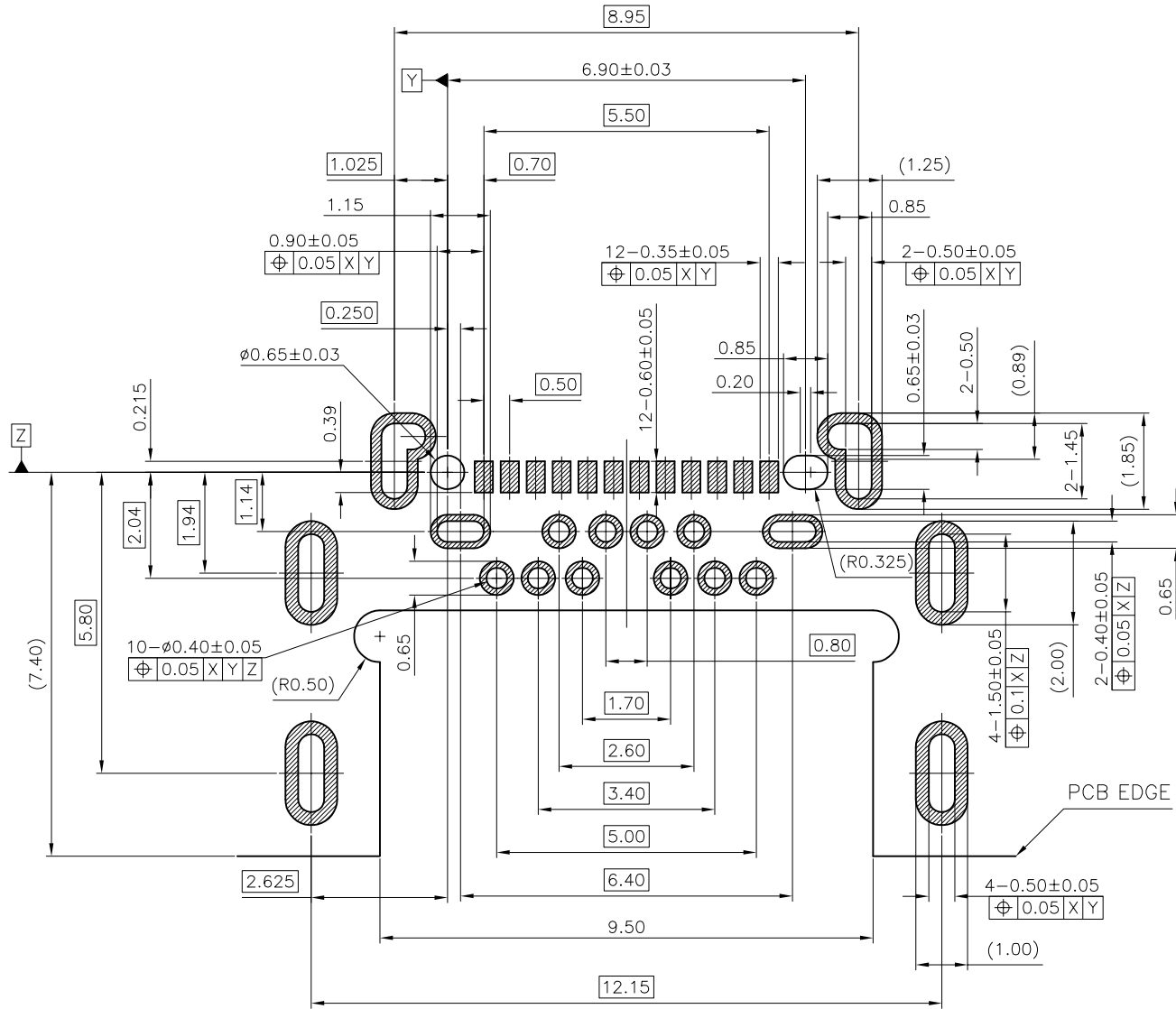
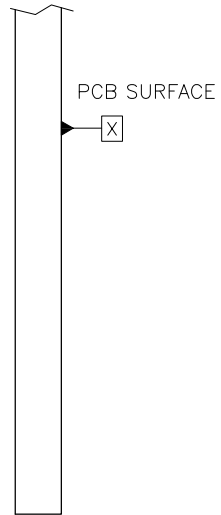
一般公差 TOLERANCES X ±0.50 .XX ±0.15 X ±0.25 .XXX ±0.10 ANGLES ±1°		宏致電子股份有限公司 Aces Electronics Co.,Ltd.	
檢驗尺寸標示 SYMBOLS INDICATE CLASSIFICATION DIMENSION	品名 (TITLE) USB 3.1 TYPE C Mid-Mount REC ASSY (T/H R/A)	製圖 (DR) 15/12/01 RAY	審核 (CHKD) RYAN
MARK IS CRITICAL DIM. MARK IS MAJOR DIM.	圖號 (DWG.NO) 55933-024XX-XXX	核准 (APPD) K.HISATOMI	
表面處理 (FINISH)	比例 (SCALE) 4:1	單位 (UNITS) mm	張數 (SHEET) 2 OF 4
			尺寸 (SIZE) A4
			頁數 (REV) 0



RECEPTACLE & PLUG MATING DRAWING



一般公差 TOLERANCES X ±0.50 .XX ±0.15 X ±0.25 .XXX ±0.10 ANGLES ±1°		宏致電子股份有限公司 Aces Electronics Co.,Ltd.	
檢驗尺寸標示 SYMBOLS $\text{\textcircled{M}}$ $\text{\textcircled{M}}$ INDICATE CLASSIFICATION DIMENSION $\text{\textcircled{C}}$ MARK IS CRITICAL DIM. $\text{\textcircled{M}}$ MARK IS MAJOR DIM.	品名 (TITLE) USB 3.1 TYPE C Mid-Mount REC ASSY (T/H R/A)	製圖 (DR) 15/12/01 RAY 審核 (CHKD) RYAN	核准 (APPD) K.HISATOMI
圖號 (DWG.NO) 55933-024XX-XXX	比例 (SCALE) 4:1	單位 (UNITS) mm	張數 (SHEET) 3 OF 4
表面處理 (FINISH)	$\text{\textcircled{M}}$	尺寸 (SIZE) A4	版數 (REV) 0



RECOMMENDED PCB LAYOUT
TOP VIEW
SCALE 8:1

一般公差 TOLERANCES X ±0.50 .XX ±0.15 X ±0.25 .XXX ±0.10 ANGLES ±1°		宏致電子股份有限公司 Aces Electronics Co.,Ltd.	
檢驗尺寸標示 SYMBOLS (M) (C) INDICATE CLASSIFICATION DIMENSION (M) MARK IS CRITICAL DIM. (C) MARK IS MAJOR DIM.	品名 (TITLE) USB 3.1 TYPE C Mid-Mount REC ASSY (T/H R/A)	製圖 (DR) 15/12/01 RAY 審核 (CHKD) RYAN	圖號 (DWG.NO) 55933-024XX-XXX
表面處理 (FINISH)	比例 (SCALE) 單位 (UNITS) 4:1 mm	核準 (APPD) K.HISATOMI	張數 (SHEET) 4 OF 4 尺寸 (SIZE) A4 版數 (REV) 0